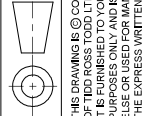
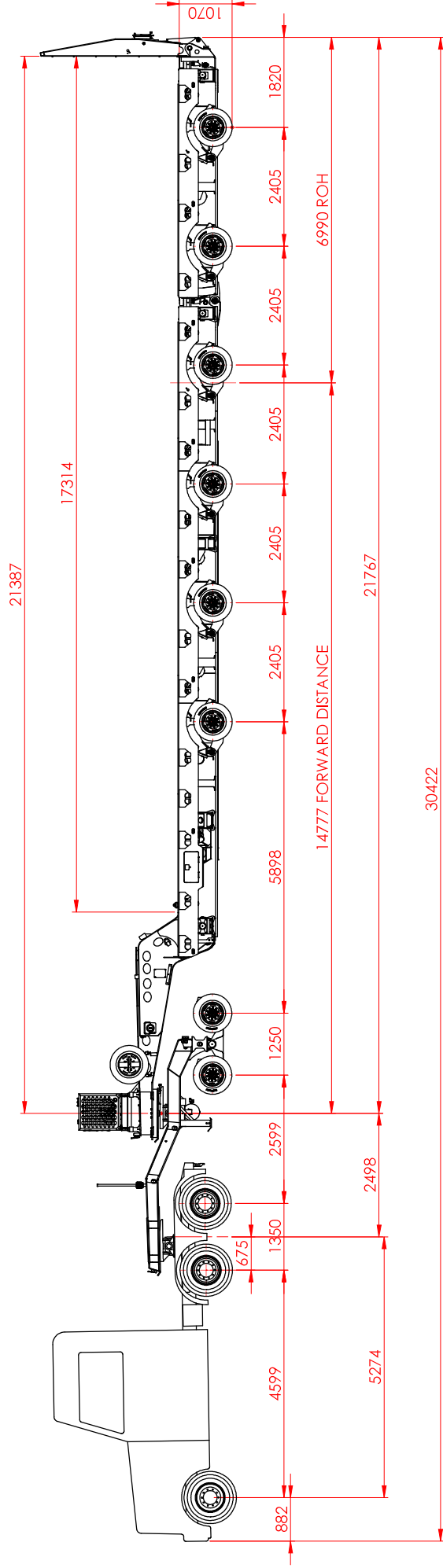
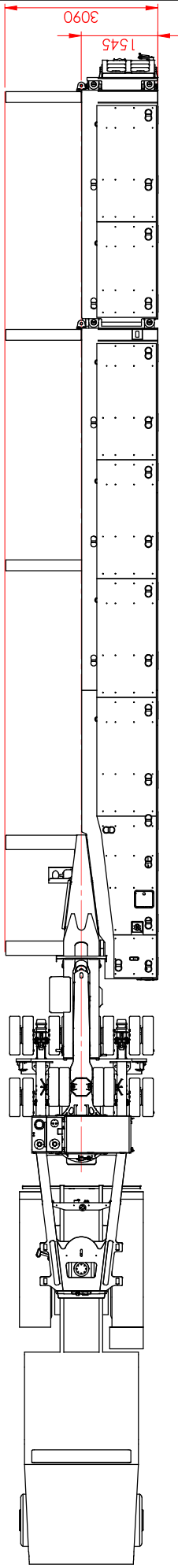


IF IN DOUBT PLEASE ASK



TIDD ROSS TODD LIMITED

48 Maui Street
Hamilton
New Zealand
Phone +64 7 849 4839
Fax +64 7 849 3828
Email: trt@trt.co.nz
ISO 9001

REV	DATE	COMMENT
C	10/01/2019	UPDATED FOR TRT DOLLY
B	12/10/18	UPDATED FOR TRT DOLLY

NAME	DATE	STATUS
DRAWN	17/08/18	-
CHKD	-	-
APPVD	-	-

WELDING: ALL INFORMATION SHALL COMPLY WITH NZSAS 1554:2009 PT 1 CATEGORY 8P UNLESS OTHERWISE STATED. WELDS SHALL BE MADE TO A QUALIFIED PROCEDURE BY A WELDER QUALIFIED FOR THE APPROPRIATE POSITIONING SUPERVISED BY A WELDING SUPERVISOR.

TOLERANCE : ± 0.2mm UNLESS OTHERWISE STATED.
WELDS : SEE ALL LABEL COMPONENTS PRIOR TO WELDING.

THIS DRAWING IS © COPYRIGHT AND IS THE PROPERTY OF TIDD ROSS TODD LIMITED. IT IS FORNISHED TO YOU FOR CONFIDENTIAL INFORMATION PURPOSES ONLY AND IS NOT TO BE DISCLOSED TO ANYONE ELSE OR USED FOR MANUFACTURING PURPOSES WITHOUT THE EXPRESS WRITTEN PERMISSION OF TIDD ROSS TODD LTD.

REVISION	SCALE	DWG NO.	TITLE
C	1:80	320-1001	6 ROWS OF 8 ~TRUCK, DOLLY AND TRAILER
STATUS - M		SHEET 3 OF 3	DATE

P:1320 POLLOCK PLATFORM 1320 PARTS AND ASSY 1320-1001